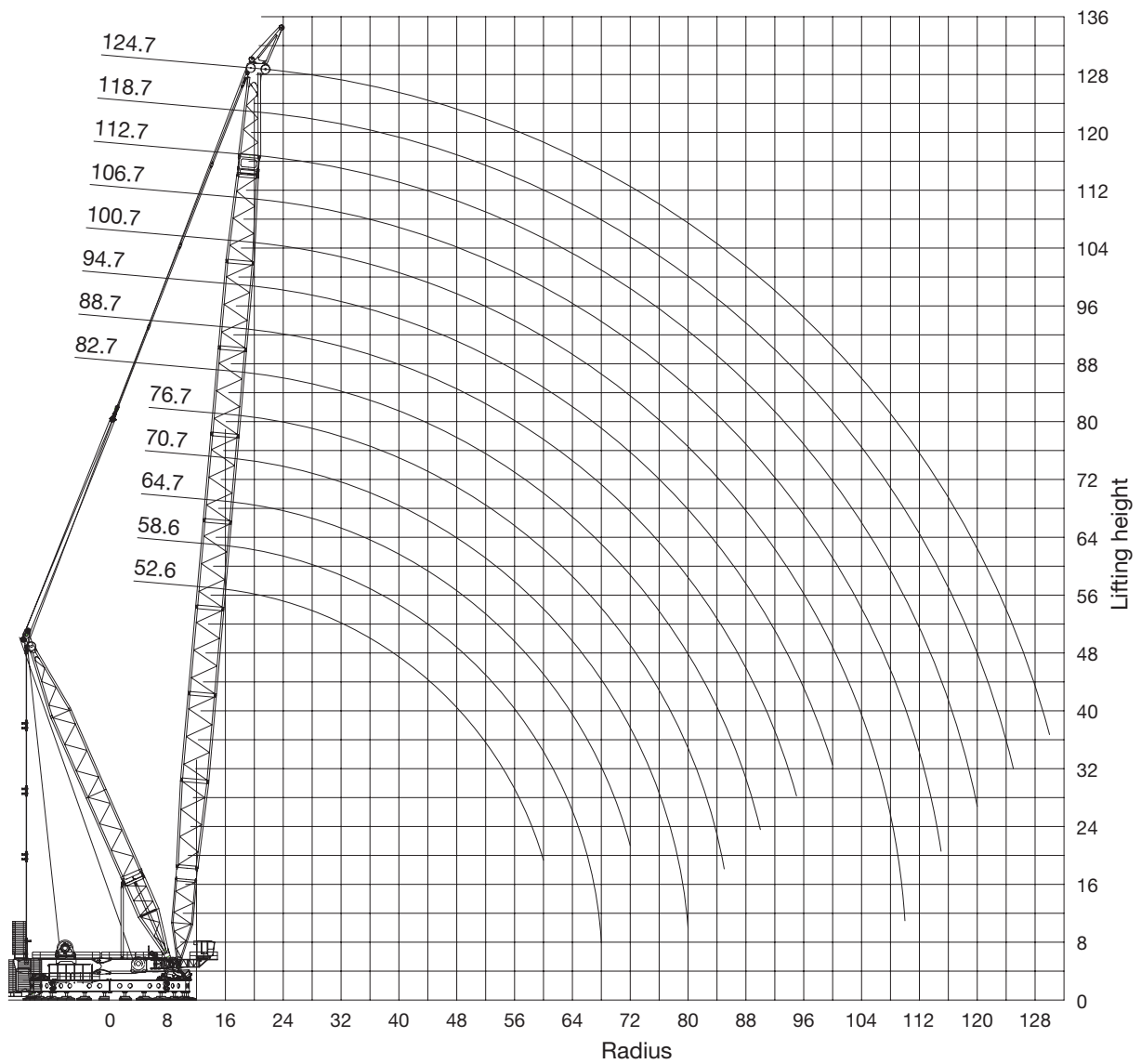
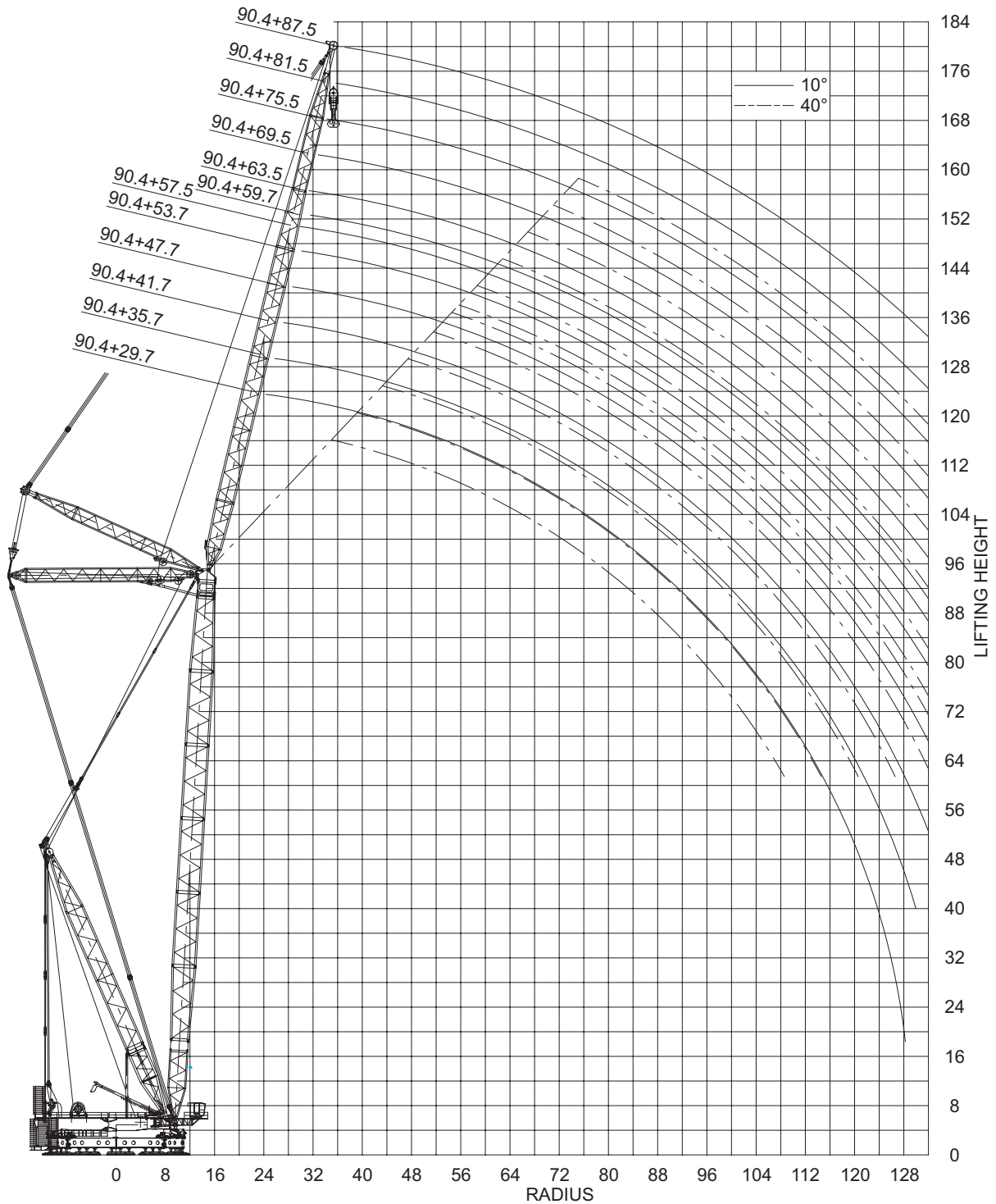


Dimensions are in millimeters.
The content in this document is mentioned for reference use only. Values may differ from current data. Always contact Mammoet for current project calculations.



Dimensions are in meters.
 The content in this document is mentioned for reference use only. Values may differ from current data. Always contact Mammoet for current project calculations.



Dimensions are in meters.
 The content in this document is mentioned for reference use only. Values may differ from current data. Always contact Mammoet for current project calculations.

Main boom with fixed jib and superlift

- Ring diameter: 21.5 m
- Ballast: 1500 - 750 t

| Boom length (m) | Jib length (m) | Radius (m) | | | | | | | | | | | | | | | | | | | | | | | | | | | | | | | | | | | | |
|-----------------|----------------|------------|------|------|------|------|------|------|-----|-----|-----|-----|-----|-----|-----|-----|-----|-----|-----|-----|-----|-----|-----|-----|-----|-----|-----|-----|-----|-----|-----|-----|----|----|--|--|--|--|
| | | 24 | 26 | 28 | 30 | 32 | 34 | 36 | 38 | 40 | 42 | 44 | 46 | 50 | 54 | 58 | 62 | 66 | 70 | 74 | 78 | 82 | 86 | 90 | 94 | 98 | 105 | 110 | 120 | 130 | 140 | 150 | | | | | | |
| 66.4 | 29.7 | 1600 | 1579 | 1486 | 1395 | 1298 | 1173 | 1061 | 966 | 884 | 812 | 750 | 695 | 601 | 524 | 465 | 449 | 415 | 367 | 324 | 285 | 249 | 216 | 184 | 141 | 115 | | | | | | | | | | | | |
| | 35.7 | | 1497 | 1417 | 1329 | 1252 | 1168 | 1064 | 970 | 889 | 818 | 756 | 701 | 607 | 531 | 467 | 415 | 392 | 373 | 340 | 303 | 268 | 236 | 206 | 177 | 135 | 95 | 58 | | | | | | | | | | |
| | 41.7 | | 1428 | 1334 | 1251 | 1177 | 1111 | 1052 | 972 | 891 | 820 | 759 | 705 | 613 | 536 | 473 | 421 | 376 | 343 | 333 | 321 | 295 | 262 | 232 | 204 | 176 | 113 | 87 | | | | | | | | | | |
| | 47.7 | | | 1202 | 1126 | 1059 | 1000 | 946 | 897 | 854 | 814 | 762 | 708 | 616 | 542 | 479 | 426 | 381 | 342 | 326 | 317 | 301 | 277 | 247 | 220 | 194 | 151 | 103 | 54 | | | | | | | | | |
| | 53.7 | | | | 1021 | 999 | 953 | 901 | 855 | 813 | 774 | 738 | 707 | 627 | 551 | 487 | 434 | 388 | 349 | 314 | 288 | 280 | 271 | 259 | 232 | 208 | 168 | 140 | 73 | | | | | | | | | |
| | 59.7 | | | | | 773 | 762 | 751 | 741 | 731 | 723 | 714 | 702 | 680 | 624 | 573 | 509 | 453 | 404 | 363 | 327 | 295 | 266 | 248 | 241 | 234 | 217 | 180 | 155 | 104 | 46 | | | | | | | |
| 78.4 | 29.7 | 1600 | 1581 | 1514 | 1350 | 1209 | 1092 | 994 | 911 | 838 | 776 | 720 | 670 | 585 | 515 | 480 | 453 | 412 | 369 | 331 | 296 | 264 | 235 | 207 | 181 | 151 | 107 | 81 | | | | | | | | | | |
| | 35.7 | | 1518 | 1460 | 1340 | 1201 | 1087 | 990 | 908 | 837 | 775 | 720 | 670 | 587 | 518 | 459 | 417 | 403 | 376 | 340 | 306 | 275 | 247 | 221 | 197 | 173 | 133 | 97 | 47 | | | | | | | | | |
| | 41.7 | | | 1377 | 1297 | 1190 | 1079 | 984 | 903 | 833 | 772 | 718 | 670 | 587 | 519 | 461 | 414 | 372 | 354 | 344 | 326 | 297 | 268 | 241 | 216 | 192 | 153 | 127 | 67 | | | | | | | | | |
| | 47.7 | | | | 1235 | 1161 | 1097 | 1039 | 974 | 899 | 830 | 769 | 716 | 668 | 587 | 519 | 463 | 415 | 374 | 346 | 336 | 325 | 305 | 277 | 251 | 227 | 204 | 167 | 142 | 79 | 40 | | | | | | | |
| | 53.7 | | | | | 1026 | 1012 | 987 | 937 | 891 | 836 | 778 | 723 | 675 | 593 | 525 | 468 | 420 | 378 | 342 | 310 | 296 | 288 | 277 | 257 | 233 | 212 | 176 | 153 | 108 | 54 | 11 | | | | | | |
| | 59.7 | | | | | | 767 | 757 | 748 | 739 | 731 | 722 | 714 | 695 | 618 | 546 | 486 | 435 | 390 | 352 | 319 | 290 | 264 | 255 | 249 | 237 | 219 | 185 | 162 | 120 | 64 | 32 | | | | | | |
| 90.4 | 29.7 | | 1519 | 1363 | 1213 | 1091 | 991 | 906 | 833 | 770 | 715 | 666 | 622 | 547 | 504 | 478 | 430 | 387 | 349 | 316 | 286 | 258 | 233 | 209 | 186 | 166 | 130 | 98 | 57 | | | | | | | | | |
| | 35.7 | | 1489 | 1345 | 1199 | 1080 | 982 | 898 | 827 | 765 | 710 | 662 | 619 | 545 | 484 | 438 | 420 | 389 | 353 | 321 | 292 | 265 | 240 | 217 | 196 | 176 | 142 | 120 | 69 | 31 | | | | | | | | |
| | 41.7 | | | 1334 | 1187 | 1068 | 971 | 890 | 820 | 759 | 705 | 657 | 615 | 542 | 482 | 431 | 388 | 372 | 360 | 338 | 308 | 281 | 256 | 233 | 211 | 191 | 157 | 135 | 92 | 45 | 2 | | | | | | | |
| | 47.7 | | | | 1166 | 1061 | 964 | 882 | 813 | 753 | 700 | 654 | 612 | 540 | 481 | 431 | 390 | 363 | 353 | 336 | 311 | 284 | 260 | 238 | 218 | 198 | 166 | 145 | 104 | 55 | 23 | | | | | | | |
| | 53.7 | | | | | 1020 | 965 | 890 | 819 | 757 | 704 | 657 | 615 | 543 | 483 | 433 | 390 | 352 | 320 | 310 | 301 | 285 | 261 | 241 | 221 | 202 | 171 | 151 | 113 | 77 | 34 | 1 | | | | | | |
| | 59.7 | | | | | | 771 | 762 | 753 | 745 | 737 | 727 | 722 | 682 | 639 | 562 | 499 | 446 | 401 | 362 | 328 | 298 | 276 | 268 | 258 | 242 | 223 | 205 | 176 | 157 | 120 | 86 | 41 | 14 | | | | |
| 102.4 | 29.7 | | 1318 | 1231 | 1096 | 987 | 898 | 823 | 758 | 702 | 652 | 609 | 569 | 523 | 487 | 436 | 393 | 355 | 322 | 293 | 266 | 241 | 218 | 198 | 178 | 160 | 130 | 110 | 66 | 33 | | | | | | | | |
| | 35.7 | | | 1203 | 1087 | 979 | 889 | 815 | 751 | 696 | 647 | 604 | 565 | 499 | 455 | 432 | 391 | 355 | 323 | 295 | 269 | 245 | 224 | 204 | 184 | 167 | 138 | 119 | 82 | 43 | 11 | | | | | | | |
| | 41.7 | | | | 1074 | 970 | 882 | 807 | 744 | 689 | 641 | 599 | 561 | 495 | 441 | 399 | 387 | 368 | 339 | 308 | 282 | 258 | 235 | 215 | 195 | 178 | 149 | 130 | 94 | 50 | 22 | | | | | | | |
| | 47.7 | | | | | 1087 | 978 | 890 | 815 | 750 | 693 | 645 | 602 | 564 | 498 | 443 | 397 | 378 | 362 | 337 | 308 | 282 | 259 | 238 | 218 | 200 | 182 | 154 | 136 | 102 | 69 | 31 | 4 | | | | | |
| | 53.7 | | | | | | 969 | 879 | 805 | 742 | 687 | 638 | 595 | 558 | 492 | 439 | 394 | 356 | 333 | 321 | 303 | 279 | 258 | 238 | 219 | 201 | 185 | 158 | 141 | 107 | 76 | 47 | 12 | | | | | |
| | 59.7 | | | | | | | 766 | 758 | 750 | 709 | 664 | 617 | 577 | 508 | 451 | 404 | 364 | 329 | 298 | 287 | 275 | 256 | 236 | 219 | 201 | 185 | 161 | 144 | 112 | 83 | 55 | 18 | | | | | |
| 114.5 | 29.7 | | | 954 | 919 | 883 | 836 | 763 | 703 | 651 | 604 | 563 | 538 | 495 | 441 | 395 | 356 | 322 | 292 | 265 | 242 | 220 | 199 | 182 | 164 | 148 | 121 | 103 | 71 | 36 | 10 | | | | | | | |
| | 35.7 | | | | 934 | 897 | 865 | 826 | 776 | 712 | 658 | 611 | 569 | 531 | 469 | 437 | 392 | 354 | 321 | 292 | 266 | 243 | 222 | 202 | 185 | 168 | 152 | 127 | 109 | 78 | 48 | 18 | | | | | | |
| | 41.7 | | | | | 877 | 843 | 813 | 761 | 706 | 651 | 604 | 563 | 526 | 463 | 412 | 398 | 370 | 335 | 304 | 277 | 254 | 232 | 212 | 194 | 177 | 161 | 135 | 118 | 86 | 58 | 23 | 1 | | | | | |
| | 47.7 | | | | | | 827 | 794 | 759 | 699 | 646 | 599 | 558 | 522 | 460 | 408 | 388 | 364 | 333 | 303 | 277 | 253 | 232 | 213 | 196 | 179 | 164 | 139 | 122 | 93 | 64 | 38 | 7 | | | | | |
| | 53.7 | | | | | | | 808 | 779 | 739 | 691 | 639 | 594 | 553 | 516 | 455 | 404 | 361 | 342 | 324 | 299 | 274 | 251 | 230 | 211 | 195 | 179 | 165 | 141 | 125 | 95 | 69 | 44 | 19 | | | | |
| | 59.7 | | | | | | | | 762 | 735 | 695 | 651 | 602 | 561 | 524 | 460 | 408 | 365 | 328 | 305 | 292 | 271 | 249 | 228 | 211 | 195 | 179 | 165 | 143 | 127 | 99 | 74 | 49 | 26 | | | | |

t = metric tons.

The content in this document is mentioned for reference use only. Values may differ from current data. Always contact Mammoet for current project calculations.

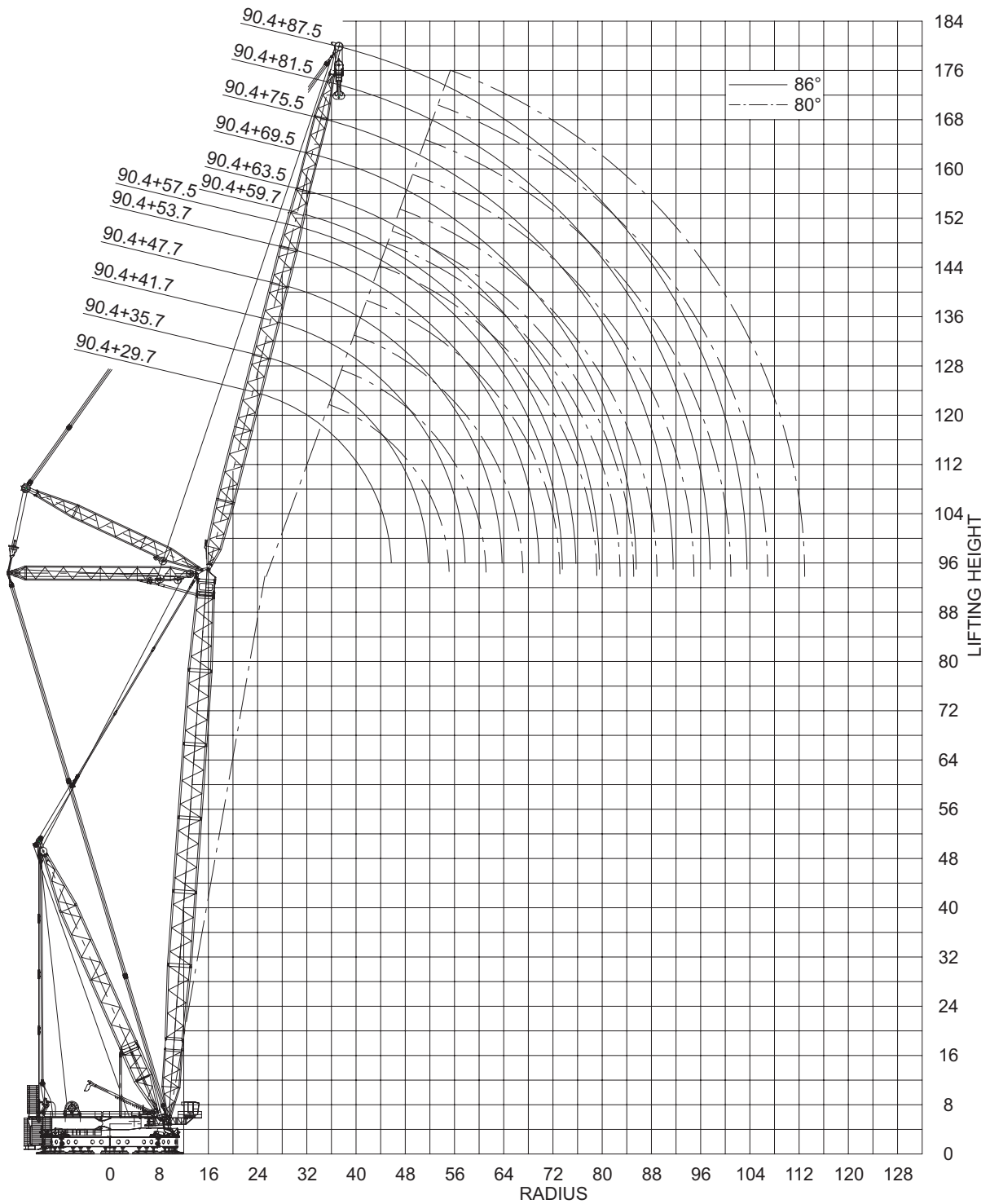
Main boom with fixed jib and superlift

- Ring diameter: 21.5 m
- Ballast: 1500 - 750 t

| Boom length (m) | Jib length (m) | Radius (m) | | | | | | | | | | | | | | | | | | | | | | | | | | | | | |
|-----------------|----------------|------------|-----|-----|-----|-----|-----|-----|-----|-----|-----|-----|-----|-----|-----|-----|-----|-----|-----|-----|-----|-----|-----|-----|-----|-----|-----|----|--|--|--|
| | | 30 | 32 | 34 | 36 | 38 | 40 | 42 | 46 | 50 | 54 | 58 | 62 | 66 | 70 | 74 | 82 | 90 | 98 | 105 | 110 | 120 | 130 | 140 | 150 | 160 | 170 | | | | |
| 66.4 | 57.5 | 550 | 550 | 550 | 550 | 550 | 550 | 550 | 550 | 550 | 550 | 550 | 507 | 452 | 405 | 365 | 297 | 277 | 244 | 202 | 174 | 102 | 58 | | | | | | | | |
| | 63.5 | 550 | 550 | 550 | 550 | 550 | 550 | 550 | 547 | 533 | 518 | 505 | 488 | 453 | 408 | 367 | 301 | 254 | 241 | 212 | 187 | 136 | 74 | | | | | | | | |
| | 69.5 | | 527 | 519 | 511 | 504 | 497 | 490 | 477 | 465 | 453 | 443 | 433 | 424 | 404 | 370 | 304 | 251 | 223 | 213 | 196 | 150 | 104 | 49 | | | | | | | |
| | 75.5 | | | 412 | 406 | 399 | 394 | 388 | 377 | 367 | 356 | 348 | 340 | 333 | 326 | 319 | 303 | 259 | 215 | 198 | 193 | 166 | 123 | 61 | 22 | | | | | | |
| | 81.5 | | | | 313 | 307 | 302 | 297 | 282 | 271 | 264 | 257 | 250 | 244 | 236 | 227 | 215 | 207 | 200 | 195 | 177 | 162 | 137 | 97 | 42 | | | | | | |
| | 87.5 | | | | | 258 | 253 | 249 | 244 | 233 | 224 | 214 | 206 | 198 | 191 | 185 | 180 | 171 | 164 | 158 | 153 | 151 | 141 | 140 | 109 | 53 | 22 | | | | |
| 78.4 | 57.5 | 550 | 550 | 550 | 550 | 550 | 550 | 550 | 550 | 550 | 550 | 539 | 489 | 440 | 397 | 360 | 301 | 285 | 246 | 208 | 184 | 139 | 81 | 45 | | | | | | | |
| | 63.5 | | 550 | 550 | 550 | 550 | 550 | 550 | 550 | 542 | 529 | 516 | 483 | 439 | 397 | 360 | 298 | 262 | 246 | 215 | 192 | 148 | 109 | 57 | 17 | | | | | | |
| | 69.5 | | | 523 | 516 | 509 | 502 | 495 | 483 | 472 | 461 | 451 | 442 | 427 | 397 | 360 | 299 | 249 | 230 | 219 | 198 | 156 | 118 | 65 | 36 | | | | | | |
| | 75.5 | | | | 415 | 409 | 403 | 398 | 392 | 382 | 372 | 363 | 354 | 347 | 339 | 332 | 326 | 303 | 256 | 215 | 205 | 199 | 169 | 132 | 96 | 45 | 14 | | | | |
| | 81.5 | | | | | 315 | 310 | 305 | 300 | 288 | 275 | 268 | 260 | 254 | 248 | 242 | 235 | 220 | 212 | 204 | 199 | 183 | 172 | 142 | 108 | 74 | 29 | | | | |
| | 87.5 | | | | | | 255 | 251 | 246 | 237 | 228 | 219 | 211 | 204 | 197 | 190 | 184 | 175 | 168 | 161 | 157 | 154 | 141 | 140 | 115 | 84 | 37 | 10 | | | |
| 90.4 | 57.5 | 550 | 550 | 550 | 550 | 550 | 550 | 550 | 550 | 550 | 548 | 503 | 454 | 410 | 372 | 339 | 307 | 275 | 234 | 201 | 181 | 141 | 105 | 58 | 29 | | | | | | |
| | 63.5 | | 550 | 550 | 550 | 550 | 550 | 550 | 550 | 549 | 538 | 498 | 450 | 407 | 370 | 337 | 282 | 268 | 236 | 205 | 184 | 147 | 112 | 80 | 38 | 8 | | | | | |
| | 69.5 | | | 526 | 520 | 513 | 506 | 500 | 488 | 478 | 467 | 458 | 438 | 404 | 367 | 335 | 281 | 247 | 233 | 207 | 187 | 152 | 119 | 88 | 44 | 19 | | | | | |
| | 75.5 | | | | 412 | 407 | 401 | 396 | 386 | 377 | 368 | 360 | 353 | 346 | 339 | 331 | 287 | 240 | 219 | 210 | 198 | 162 | 128 | 98 | 69 | 27 | 2 | | | | |
| | 81.5 | | | | | 316 | 312 | 307 | 302 | 290 | 279 | 271 | 264 | 258 | 251 | 246 | 241 | 226 | 215 | 209 | 189 | 184 | 164 | 137 | 107 | 80 | 51 | 13 | | | |
| | 87.5 | | | | | | 256 | 252 | 249 | 240 | 232 | 224 | 216 | 208 | 201 | 195 | 188 | 178 | 171 | 165 | 160 | 157 | 141 | 133 | 111 | 85 | 59 | 18 | | | |
| 102.4 | 57.5 | | 550 | 550 | 550 | 550 | 550 | 550 | 550 | 549 | 511 | 458 | 413 | 374 | 340 | 329 | 294 | 252 | 215 | 186 | 168 | 134 | 102 | 73 | 35 | 11 | | | | | |
| | 63.5 | | | 550 | 550 | 550 | 550 | 550 | 550 | 546 | 505 | 452 | 409 | 370 | 337 | 307 | 284 | 250 | 215 | 188 | 170 | 137 | 107 | 80 | 52 | 18 | | | | | |
| | 69.5 | | | | 529 | 523 | 517 | 511 | 505 | 494 | 483 | 473 | 447 | 404 | 367 | 334 | 305 | 264 | 247 | 214 | 188 | 171 | 140 | 111 | 85 | 60 | 23 | 2 | | | |
| | 75.5 | | | | | 414 | 408 | 404 | 399 | 390 | 381 | 373 | 365 | 357 | 350 | 336 | 310 | 260 | 234 | 220 | 197 | 179 | 148 | 119 | 92 | 67 | 42 | 8 | | | |
| | 81.5 | | | | | | 313 | 309 | 305 | 296 | 281 | 274 | 267 | 261 | 255 | 249 | 244 | 232 | 219 | 200 | 185 | 179 | 152 | 124 | 99 | 75 | 51 | 13 | | | |
| | 87.5 | | | | | | | 254 | 251 | 243 | 235 | 227 | 219 | 213 | 206 | 199 | 193 | 182 | 174 | 168 | 163 | 150 | 141 | 125 | 101 | 78 | 56 | 34 | | | |
| 114.5 | 57.5 | | 550 | 550 | 550 | 550 | 550 | 550 | 550 | 522 | 463 | 414 | 374 | 350 | 335 | 311 | 266 | 226 | 194 | 168 | 152 | 121 | 93 | 69 | 44 | 13 | | | | | |
| | 63.5 | | | 550 | 550 | 550 | 550 | 550 | 548 | 515 | 457 | 409 | 369 | 334 | 313 | 301 | 262 | 225 | 194 | 168 | 152 | 122 | 96 | 72 | 49 | 26 | | | | | |
| | 69.5 | | | | 525 | 519 | 514 | 509 | 498 | 488 | 451 | 405 | 366 | 331 | 301 | 281 | 258 | 223 | 192 | 169 | 153 | 125 | 99 | 75 | 54 | 33 | 2 | | | | |
| | 75.5 | | | | | 416 | 411 | 406 | 402 | 393 | 385 | 377 | 369 | 357 | 335 | 306 | 279 | 248 | 231 | 200 | 176 | 159 | 131 | 105 | 81 | 59 | 38 | 17 | | | |
| | 81.5 | | | | | | 308 | 304 | 301 | 294 | 282 | 275 | 269 | 265 | 260 | 255 | 250 | 238 | 210 | 187 | 170 | 162 | 134 | 110 | 87 | 66 | 45 | 25 | | | |
| | 87.5 | | | | | | | 256 | 253 | 246 | 238 | 230 | 223 | 216 | 210 | 203 | 197 | 187 | 181 | 170 | 153 | 145 | 133 | 110 | 88 | 67 | 48 | 29 | | | |

t = metric tons.

The content in this document is mentioned for reference use only. Values may differ from current data. Always contact Mammoet for current project calculations.



Dimensions are in meters.
 The content in this document is mentioned for reference use only. Values may differ from current data. Always contact Mammoet for current project calculations.

Main boom with luffing jib and superlift

- Ring diameter: 21.5 m
- Jib head: 2000 t
- Ballast: 1500 - 750 t
- Boom angle: 86°, 80°

| Boom length (m) | Boom angle (°) | Jib length (m) | Radius (m) | | | | | | | | | | | | | | | | | | | | | | | | | |
|-----------------|----------------|----------------|------------|------|------|------|------|------|------|-----|-----|------|-----|-----|-----|-----|-----|-----|-----|-----|-----|-----|-----|-----|-----|------|--|--|
| | | | 24 | 26 | 28 | 30 | 32 | 34 | 36 | 38 | 40 | 42 | 44 | 46 | 48 | 50 | 54 | 58 | 62 | 66 | 70 | 74 | 78 | 82 | 86 | 89.3 | | |
| 66.4 | 86 | 29.7 | 1531 | 1250 | 1054 | 911 | 776 | 665 | 572 | 490 | 416 | 342 | 238 | | | | | | | | | | | | | | | |
| | | 35.7 | | 1345 | 1134 | 979 | 847 | 737 | 646 | 570 | 502 | 443 | 389 | 337 | 284 | 205 | | | | | | | | | | | | |
| | | 41.7 | | | 1400 | 1174 | 1010 | 883 | 777 | 687 | 612 | 548 | 492 | 442 | 397 | 356 | 316 | 238 | | | | | | | | | | |
| | | 47.7 | | | | 1149 | 992 | 872 | 776 | 698 | 634 | 579 | 533 | 493 | 458 | 419 | 384 | 321 | 261 | 162 | | | | | | | | |
| | | 53.7 | | | | | | 1002 | 890 | 792 | 712 | 647 | 591 | 544 | 502 | 466 | 434 | 403 | 343 | 291 | 244 | 188 | | | | | | |
| | | 59.7 | | | | | | | 778 | 754 | 732 | 710 | 656 | 599 | 550 | 507 | 472 | 438 | 409 | 357 | 308 | 266 | 227 | 188 | 120 | | | |
| 80 | 86 | 29.7 | | | | | | 1135 | 973 | 848 | 746 | 642 | 555 | 476 | 402 | 321 | | | | | | | | | | | | |
| | | 35.7 | | | | | | | 1045 | 917 | 813 | 713 | 629 | 558 | 493 | 436 | 330 | | | | | | | | | | | |
| | | 41.7 | | | | | | | | 947 | 837 | 748 | 668 | 599 | 538 | 485 | 393 | 314 | 205 | | | | | | | | | |
| | | 47.7 | | | | | | | | | 826 | 740 | 669 | 608 | 558 | 515 | 445 | 381 | 319 | 256 | | | | | | | | |
| | | 53.7 | | | | | | | | | | 758 | 684 | 623 | 571 | 526 | 454 | 396 | 343 | 293 | 245 | 174 | | | | | | |
| | | 80 | 80 | 29.7 | | | | | | | | 1017 | 930 | 854 | 753 | 648 | 559 | 480 | 406 | | | | | | | | | |
| 35.7 | | | | | | | | | | | 944 | 870 | 805 | 719 | 634 | 561 | 497 | 386 | 275 | | | | | | | | | |
| 41.7 | | | | | | | | | | | | 872 | 805 | 749 | 674 | 602 | 541 | 440 | 355 | 275 | | | | | | | | |
| 47.7 | | | | | | | | | | | | | 823 | 749 | 675 | 615 | 564 | 482 | 418 | 352 | 291 | 205 | | | | | | |
| 53.7 | | | | | | | | | | | | | | 758 | 687 | 625 | 573 | 489 | 426 | 371 | 319 | 270 | 220 | | | | | |
| 59.7 | | | | | | | | | | | | | | | 695 | 632 | 579 | 495 | 431 | 380 | 333 | 289 | 249 | 210 | 152 | | | |
| 78.4 | 86 | 29.7 | 1600 | 1354 | 1129 | 966 | 831 | 711 | 610 | 524 | 447 | 374 | 294 | | | | | | | | | | | | | | | |
| | | 35.7 | | 1457 | 1214 | 1039 | 900 | 782 | 683 | 601 | 531 | 468 | 412 | 359 | 308 | 248 | | | | | | | | | | | | |
| | | 41.7 | | | 1259 | 1078 | 939 | 821 | 724 | 643 | 575 | 515 | 462 | 416 | 373 | 334 | 256 | | | | | | | | | | | |
| | | 47.7 | | | | 1230 | 1054 | 919 | 814 | 729 | 659 | 601 | 552 | 510 | 472 | 436 | 399 | 333 | 274 | 187 | | | | | | | | |
| | | 53.7 | | | | | 1025 | 940 | 830 | 744 | 673 | 613 | 563 | 519 | 482 | 449 | 417 | 355 | 303 | 255 | 204 | | | | | | | |
| | | 59.7 | | | | | | 764 | 742 | 721 | 688 | 627 | 575 | 530 | 491 | 457 | 427 | 369 | 319 | 275 | 236 | 197 | 136 | | | | | |
| 80 | 80 | 29.7 | | | | | | | | | 944 | 870 | 805 | 719 | 634 | 561 | 497 | 386 | 275 | | | | | | | | | |
| | | 35.7 | | | | | | | | | | 872 | 805 | 749 | 674 | 602 | 541 | 440 | 355 | 275 | | | | | | | | |
| | | 41.7 | | | | | | | | | | | 823 | 749 | 675 | 615 | 564 | 482 | 418 | 352 | 291 | 205 | | | | | | |
| | | 47.7 | | | | | | | | | | | | 758 | 687 | 625 | 573 | 489 | 426 | 371 | 319 | 270 | 220 | | | | | |
| | | 53.7 | | | | | | | | | | | | | 695 | 632 | 579 | 495 | 431 | 380 | 333 | 289 | 249 | 210 | 152 | | | |
| | | 59.7 | | | | | | | | | | | | | | 695 | 632 | 579 | 495 | 431 | 380 | 333 | 289 | 249 | 210 | 152 | | |
| 90.4 | 86 | 29.7 | | 1477 | 1214 | 1028 | 888 | 757 | 649 | 557 | 477 | 403 | 328 | | | | | | | | | | | | | | | |
| | | 35.7 | | | 1515 | 1307 | 1106 | 959 | 827 | 721 | 633 | 558 | 492 | 434 | 380 | 329 | 274 | | | | | | | | | | | |
| | | 41.7 | | | | 1336 | 1147 | 994 | 870 | 761 | 674 | 601 | 538 | 483 | 434 | 390 | 349 | 272 | | | | | | | | | | |
| | | 47.7 | | | | | 1124 | 970 | 855 | 762 | 687 | 625 | 572 | 526 | 487 | 452 | 413 | 345 | 286 | 205 | | | | | | | | |
| | | 53.7 | | | | | | 992 | 873 | 778 | 701 | 637 | 583 | 537 | 497 | 462 | 431 | 367 | 312 | 264 | 216 | | | | | | | |
| | | 59.7 | | | | | | | 775 | 751 | 730 | 707 | 652 | 595 | 548 | 506 | 471 | 439 | 380 | 328 | 284 | 243 | 205 | 149 | | | | |
| 80 | 80 | 29.7 | | | | | | | | | 872 | 803 | 741 | 689 | 643 | 563 | 484 | 330 | | | | | | | | | | |
| | | 35.7 | | | | | | | | | | 821 | 759 | 706 | 659 | 617 | 564 | 442 | 336 | | | | | | | | | |
| | | 41.7 | | | | | | | | | | | 759 | 703 | 655 | 613 | 576 | 490 | 398 | 318 | 210 | | | | | | | |
| | | 47.7 | | | | | | | | | | | | 700 | 652 | 610 | 574 | 512 | 450 | 386 | 322 | 259 | | | | | | |
| | | 53.7 | | | | | | | | | | | | | 646 | 605 | 569 | 507 | 456 | 400 | 346 | 295 | 247 | 177 | | | | |
| | | 59.7 | | | | | | | | | | | | | | 624 | 586 | 521 | 466 | 409 | 358 | 311 | 269 | 230 | 186 | | | |
| 102.4 | 86 | 29.7 | | 1300 | 1178 | 1074 | 944 | 807 | 689 | 592 | 507 | 431 | 358 | 273 | | | | | | | | | | | | | | |
| | | 35.7 | | | 1211 | 1083 | 970 | 876 | 760 | 666 | 586 | 517 | 455 | 400 | 348 | 296 | | | | | | | | | | | | |
| | | 41.7 | | | | 1078 | 965 | 871 | 793 | 706 | 628 | 562 | 503 | 452 | 406 | 363 | 286 | 198 | | | | | | | | | | |
| | | 47.7 | | | | | 1095 | 980 | 885 | 801 | 719 | 652 | 594 | 546 | 504 | 467 | 428 | 358 | 296 | 232 | | | | | | | | |
| | | 53.7 | | | | | | 990 | 894 | 815 | 735 | 666 | 607 | 558 | 515 | 478 | 445 | 378 | 322 | 273 | 225 | 151 | | | | | | |
| | | 59.7 | | | | | | | 762 | 739 | 718 | 678 | 618 | 566 | 523 | 485 | 452 | 391 | 337 | 291 | 250 | 212 | 169 | | | | | |
| 80 | 80 | 29.7 | | | | | | | | | 757 | 699 | 649 | 604 | 566 | 532 | 410 | | | | | | | | | | | |
| | | 35.7 | | | | | | | | | | 695 | 645 | 602 | 564 | 530 | 472 | 388 | 249 | | | | | | | | | |
| | | 41.7 | | | | | | | | | | | 640 | 598 | 560 | 527 | 469 | 422 | 358 | 276 | | | | | | | | |
| | | 47.7 | | | | | | | | | | | | 619 | 579 | 543 | 482 | 433 | 392 | 348 | 292 | 207 | | | | | | |
| | | 53.7 | | | | | | | | | | | | | 573 | 538 | 478 | 428 | 388 | 354 | 316 | 270 | 221 | | | | | |
| | | 59.7 | | | | | | | | | | | | | | 532 | 473 | 424 | 385 | 350 | 321 | 288 | 249 | 210 | 157 | | | |

t = metric tons.

The content in this document is mentioned for reference use only. Values may differ from current data. Always contact Mammoet for current project calculations.

| Boom length (m) | Boom angle (m) | Jib length (m) | Radius (m) | | | | | | | | | | | | | | | | | | | | | | | | | | | |
|-----------------|----------------|----------------|------------|----|-----|-----|-----|-----|-----|-----|-----|-----|-----|-----|-----|-----|-----|-----|-----|-----|-----|-----|-----|-----|-----|------|--|--|--|--|
| | | | 24 | 26 | 28 | 30 | 32 | 34 | 36 | 38 | 40 | 42 | 44 | 46 | 48 | 50 | 54 | 58 | 62 | 66 | 70 | 74 | 78 | 82 | 86 | 88.3 | | | | |
| 114.5 | 86 | 29.7 | | | 934 | 854 | 785 | 723 | 667 | 617 | 538 | 459 | 386 | 309 | | | | | | | | | | | | | | | | |
| | | 35.7 | | | 937 | 874 | 807 | 746 | 692 | 644 | 601 | 542 | 478 | 420 | 367 | 315 | | | | | | | | | | | | | | |
| | | 41.7 | | | | 875 | 817 | 759 | 707 | 660 | 617 | 578 | 525 | 471 | 423 | 379 | 300 | 219 | | | | | | | | | | | | |
| | | 47.7 | | | | | 823 | 773 | 723 | 676 | 635 | 597 | 557 | 521 | 484 | 443 | 370 | 308 | 246 | | | | | | | | | | | |
| | | 53.7 | | | | | | 818 | 772 | 728 | 682 | 642 | 604 | 564 | 528 | 494 | 460 | 390 | 332 | 281 | 233 | 166 | | | | | | | | |
| | | 59.7 | | | | | | | 767 | 727 | 684 | 643 | 601 | 559 | 523 | 490 | 461 | 402 | 346 | 299 | 257 | 218 | 178 | | | | | | | |
| 80 | 29.7 | | | | | | | | | | | 641 | 595 | 555 | 520 | 489 | 434 | 331 | | | | | | | | | | | | |
| | | 35.7 | | | | | | | | | | | 616 | 574 | 537 | 503 | 447 | 400 | 329 | | | | | | | | | | | |
| | | 41.7 | | | | | | | | | | | | 569 | 532 | 499 | 444 | 397 | 360 | 310 | 211 | | | | | | | | | |
| | | 47.7 | | | | | | | | | | | | | 528 | 495 | 441 | 395 | 358 | 326 | 298 | 256 | | | | | | | | |
| | | 53.7 | | | | | | | | | | | | | | 490 | 435 | 391 | 354 | 322 | 295 | 271 | 241 | 177 | | | | | | |
| | | 59.7 | | | | | | | | | | | | | | | 430 | 387 | 350 | 319 | 292 | 268 | 247 | 223 | 184 | 128 | | | | |

Main boom with luffing jib and superlift

- Ring diameter: 21.5 m
- Jib head: 550 t
- Ballast: 1500 - 750 t
- Boom angle: 86°, 80°

| Boom length (m) | Jib length (m) | Radius (m) | | | | | | | | | | | | | | | | | | | | | | | | | | | |
|-----------------|----------------|------------|-----|-----|-----|-----|-----|-----|-----|-----|-----|-----|-----|-----|-----|-----|-----|-----|-----|-----|-----|-----|-----|-----|-----|-----|-----|--|--|
| | | 28 | 30 | 32 | 34 | 36 | 38 | 40 | 42 | 44 | 46 | 48 | 50 | 54 | 58 | 62 | 66 | 70 | 74 | 78 | 82 | 86 | 90 | 94 | 98 | 105 | | | |
| 66.4 | 57.5 | 550 | 550 | 550 | 550 | 550 | 550 | 550 | 550 | 522 | 485 | 454 | 426 | 377 | 326 | 282 | 241 | 188 | | | | | | | | | | | |
| | | 63.5 | | 550 | 550 | 550 | 550 | 543 | 526 | 511 | 497 | 483 | 459 | 429 | 380 | 337 | 296 | 260 | 226 | 191 | | | | | | | | | |
| | | 69.5 | | | 524 | 508 | 493 | 479 | 466 | 454 | 443 | 433 | 424 | 414 | 384 | 342 | 305 | 270 | 239 | 210 | 182 | 144 | | | | | | | |
| | | 75.5 | | | | 408 | 396 | 384 | 374 | 364 | 353 | 346 | 338 | 329 | 316 | 303 | 292 | 274 | 247 | 221 | 196 | 172 | 144 | | | | | | |
| | | 81.5 | | | | | 311 | 302 | 291 | 277 | 270 | 263 | 256 | 250 | 239 | 222 | 214 | 207 | 200 | 195 | 190 | 179 | 161 | 140 | 118 | | | | |
| | | 87.5 | | | | | | 257 | 249 | 239 | 231 | 222 | 213 | 206 | 198 | 188 | 180 | 173 | 166 | 160 | 155 | 150 | 146 | 143 | 141 | 130 | 112 | | |
| 78.4 | 57.5 | | 550 | 550 | 550 | 550 | 550 | 550 | 550 | 540 | 501 | 466 | 437 | 386 | 336 | 292 | 251 | 206 | | | | | | | | | | | |
| | | 63.5 | | 550 | 550 | 550 | 550 | 534 | 518 | 502 | 489 | 471 | 441 | 390 | 346 | 305 | 268 | 233 | 199 | 150 | | | | | | | | | |
| | | 69.5 | | | 515 | 500 | 485 | 472 | 459 | 448 | 437 | 427 | 418 | 393 | 350 | 313 | 277 | 245 | 216 | 189 | 152 | | | | | | | | |
| | | 75.5 | | | | 414 | 402 | 389 | 378 | 368 | 358 | 349 | 341 | 333 | 319 | 305 | 295 | 278 | 253 | 226 | 201 | 176 | 152 | 123 | | | | | |
| | | 81.5 | | | | | 315 | 306 | 297 | 281 | 273 | 266 | 259 | 253 | 241 | 224 | 215 | 208 | 201 | 196 | 191 | 180 | 164 | 144 | 124 | | | | |
| | | 87.5 | | | | | | 252 | 244 | 234 | 225 | 217 | 209 | 201 | 190 | 181 | 174 | 167 | 162 | 156 | 151 | 147 | 144 | 141 | 133 | 117 | | | |
| 90.4 | 57.5 | | 550 | 550 | 550 | 550 | 550 | 550 | 550 | 549 | 516 | 480 | 448 | 396 | 348 | 301 | 259 | 216 | | | | | | | | | | | |
| | | 63.5 | | 550 | 550 | 550 | 550 | 541 | 524 | 509 | 495 | 480 | 452 | 400 | 356 | 314 | 275 | 240 | 206 | 161 | | | | | | | | | |
| | | 69.5 | | | 522 | 506 | 491 | 477 | 465 | 453 | 442 | 431 | 422 | 402 | 358 | 320 | 284 | 252 | 222 | 194 | 163 | | | | | | | | |
| | | 75.5 | | | | 406 | 395 | 383 | 372 | 362 | 353 | 344 | 337 | 321 | 309 | 297 | 283 | 259 | 231 | 206 | 182 | 156 | 130 | | | | | | |
| | | 81.5 | | | | | 320 | 310 | 299 | 286 | 276 | 268 | 262 | 255 | 243 | 225 | 217 | 209 | 202 | 197 | 192 | 183 | 169 | 148 | 130 | | | | |
| | | 87.5 | | | | | | 256 | 248 | 238 | 230 | 220 | 212 | 205 | 192 | 183 | 176 | 169 | 162 | 157 | 152 | 148 | 144 | 142 | 136 | 120 | | | |
| 102.4 | 57.5 | | | 550 | 550 | 550 | 550 | 550 | 550 | 550 | 532 | 495 | 462 | 406 | 355 | 309 | 266 | 224 | 163 | | | | | | | | | | |
| | | 63.5 | | | 550 | 550 | 550 | 547 | 531 | 515 | 501 | 487 | 466 | 409 | 365 | 321 | 281 | 246 | 212 | 174 | | | | | | | | | |
| | | 69.5 | | | | 529 | 513 | 498 | 483 | 470 | 458 | 447 | 436 | 426 | 407 | 366 | 328 | 291 | 258 | 228 | 199 | 169 | 128 | | | | | | |
| | | 75.5 | | | | | 413 | 399 | 389 | 376 | 367 | 357 | 348 | 339 | 324 | 311 | 300 | 287 | 265 | 236 | 210 | 186 | 162 | 136 | | | | | |
| | | 81.5 | | | | | | 313 | 304 | 294 | 279 | 271 | 264 | 257 | 246 | 232 | 218 | 210 | 203 | 197 | 192 | 185 | 172 | 152 | 134 | 100 | | | |
| | | 87.5 | | | | | | | 251 | 242 | 233 | 224 | 217 | 208 | 194 | 185 | 177 | 170 | 164 | 158 | 153 | 149 | 145 | 142 | 138 | 123 | | | |
| 114.5 | 57.5 | | | 550 | 550 | 550 | 550 | 550 | 550 | 550 | 545 | 510 | 475 | 417 | 364 | 317 | 273 | 231 | 175 | | | | | | | | | | |
| | | 63.5 | | | 550 | 550 | 550 | 550 | 538 | 522 | 507 | 493 | 477 | 421 | 373 | 328 | 288 | 252 | 218 | 182 | | | | | | | | | |
| | | 69.5 | | | | 520 | 504 | 489 | 476 | 463 | 451 | 441 | 431 | 411 | 375 | 335 | 297 | 263 | 232 | 203 | 174 | 137 | | | | | | | |
| | | 75.5 | | | | | 418 | 405 | 393 | 381 | 371 | 361 | 352 | 343 | 328 | 313 | 302 | 290 | 269 | 241 | 214 | 189 | 165 | 140 | | | | | |
| | | 81.5 | | | | | | 314 | 305 | 296 | 281 | 273 | 266 | 260 | 248 | 237 | 221 | 214 | 206 | 200 | 195 | 189 | 177 | 156 | 135 | 105 | | | |
| | | 87.5 | | | | | | | 254 | 246 | 237 | 229 | 219 | 211 | 196 | 187 | 179 | 172 | 166 | 160 | 155 | 151 | 148 | 145 | 142 | 128 | 90 | | |

t = metric tons.

The content in this document is mentioned for reference use only. Values may differ from current data. Always contact Mammoet for current project calculations.