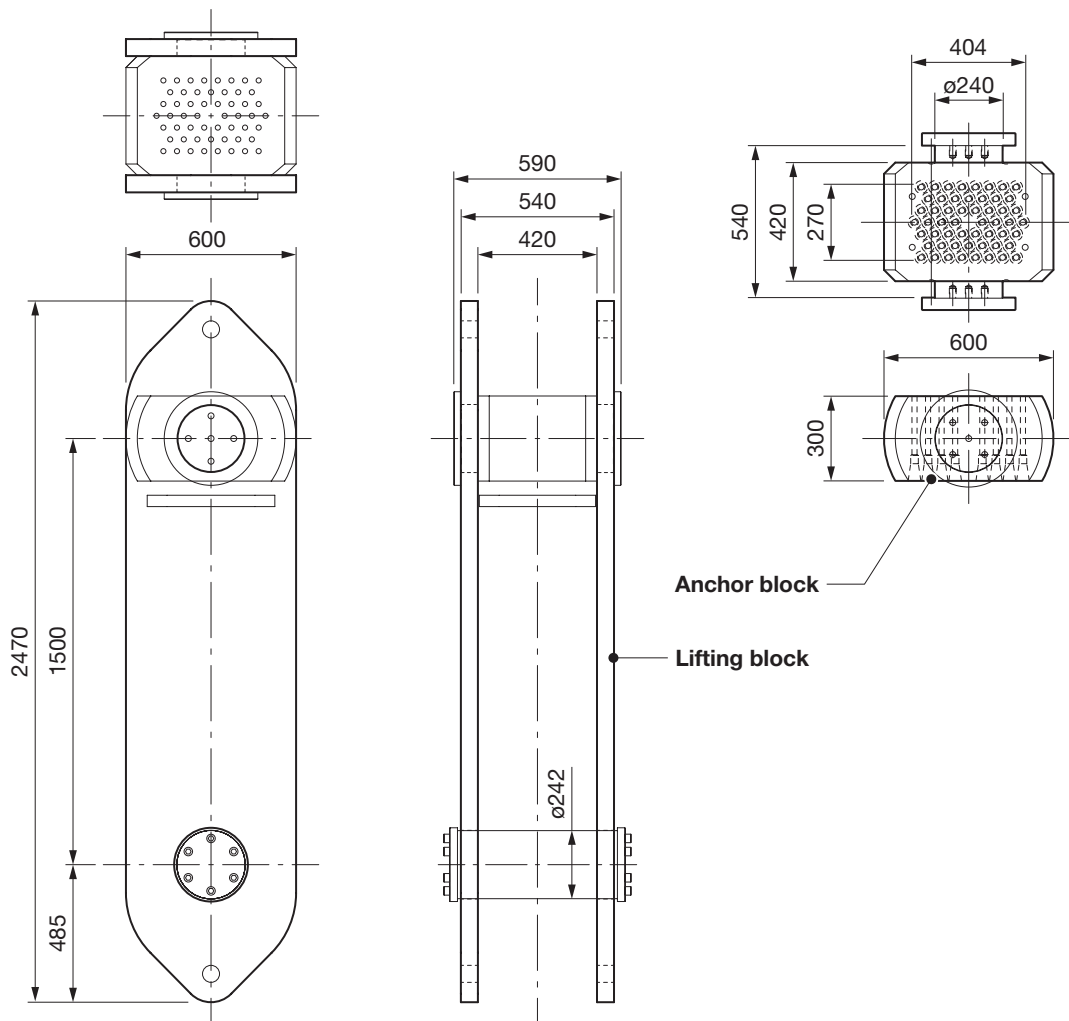

SPECIFICATIONS
Lifting block, type 1

Capacity	900 t
Width	800 mm
Length	600 mm
Height	2470 mm
Weight	2050 kg
Pin diameter	240 mm
Min. pin length	720 mm

Anchor block, type 1

Capacity	900 t
Width	800 mm
Length	600 mm
Height	410 mm
Weight	800 kg
Max. diameter of the strand bundle	364 mm
Max. no of strands	54

Dimensions are in millimeters, t = metric tons.
The content in this document is mentioned for reference use only. Values may differ from current data. Always contact Mammoet for current project calculations.

**LIFTING BLOCK, ANCHOR BLOCK
DIMENSIONS AND SPECIFICATIONS**

SPECIFICATIONS
Lifting block, type 2

Capacity	900 t
Width	540 mm
Length	600 mm
Height	2470 mm
Weight	1920 kg
Pin diameter	240 mm
Min. pin length	540 mm

Anchor block, type 2

Capacity	900 t
Width	540 mm
Length	600 mm
Height	300 mm
Weight	660 kg
Max. diameter of the strand bundle	404x270 mm
Max. no. of strands	54

Dimensions are in millimeters, t = metric tons.
The content in this document is mentioned for reference use only. Values may differ from current data. Always contact Mammoet for current project calculations.